



## **Manual For HTG-550 Floor Grinder Polisher**

## Contents

### 1、 Introduction

- 1.1 Summary
- 1.2 Responsibility
- 1.3 Manual
- 1.4 Package acceptance
- 1.5 Spare parts
- 1.6 Package Acceptance
- 1.7 Machine nameplate
- 1.8 Handling and storage
- 1.9 Warranty items

### 2、 Safety instructions

- 2.1 Overview
- 2.2 Operational Safety Instructions
- 2.3 Electrical safety Instructions

### 3、 Machine

- 3.1 Overview
- 3.2 Parts description
- 3.3 Swing lever assembly
  - 3.3.1 Overview
  - 3.3.2 LED light switch device
  - 3.3.3 Handle
  - 3.3.4 Swing lever angle adjustment
- 3.4 Water valve
- 3.5 The connection of the vacuum hose
- 3.6 Additional weight

### 4、 The operation of the machine

- 4.1 Overview
- 4.2 Position description of machine
  - 4.2.1 Machine working position
  - 4.2.2 Machine transport position
  - 4.2.3 Machine packaging
  - 4.2.4 Machine upward position
  - 4.2.5 Note
- 4.3 Start and stop the grinder
- 4.4 Replace the diamond tools
- 4.5 The best grinding route

### 5、 Care and maintenance of machine

- 5.1 Overview
- 5.2 Daily check
  - 5.2.1 Check the switch
  - 5.2.2 Check the disc cover
  - 5.2.3 Check the disc

5.2.4 Note

5.3 Cleaning

5.3.1 Clean the switch

5.3.2 Clean the disc cover

5.3.3 Clean the grinding plate and Velcro-iron accessories

5.3.4 Note

5.4 overload protection

5.5 Maintenance

**6、 Frequently asked questions and solutions**

**7、 Technical data**

**8、 warranty**

## **1、 Introduction**

### **1.1 Summary**

Xingyi machine are used to handle the floor surface. The scope of use of the machine depends on the choice of the tool. In addition to the use and general functions, this manual describes information on the use, repair and maintenance of the grinder. You can contact your local retailer for further information.

### **1.2 Responsibility**

We make every effort to make this manual as complete and accurate as possible, and we are not responsible for any errors or loss of information. Xingyi reserves the right to change the instructions in this manual without prior notice.

This manual is protected by copyright law and can not be reproduced or used in any part without the express written consent of Xingyi.

### **1.3 Spare parts**

The product mainly includes the following items, if anything lost, please contact the retailer.

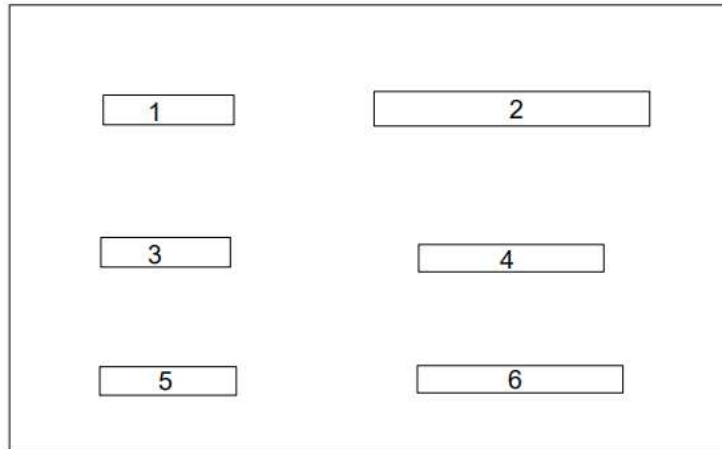
- (1) a grinding machine
- (2) a manual
- (3) 12 piece of Velcro-iron accessories
- (4) a power plug
- (5) a main electric cabinet keys

### **1.4 Package acceptance**

Carefully check the packaging and equipment for transport damage. If the machine has any signs of damage, please contact the retailer and report the damage. If the package is damaged, report the packaging condition to the shipping company for damage.

Check whether the delivery meets the order. If you have any questions, please contact the retailer.

### 1.5 Machine Nameplate



- |                       |                  |
|-----------------------|------------------|
| 1.model               | 4.voltage        |
| 2. manufacturing date | 5.weight         |
| 3.power               | 6.Rotating speed |

### 1.6 Processing and storage

The grinding machine should be stored in a dry place at normal temperature when not in use. Otherwise, it may be subject to damage from condensation and cold. The size and weight of the grinder are given in the technical data.

**Note:**

If the operation is inadvertent, the grinder may be overturned, causing personal injury and damage to the equipment.

### 1.7 Warranty items

This warranty covers only manufacturing defects. Xingyi does not assume responsibility for damage in the transport, opening of the box or use. The manufacturer is not liable under any circumstances for damage and defects caused by improper use, corrosion or use beyond the specified specifications. The manufacturer shall not be liable for any indirect damage or expense under any circumstances. For complete information on the manufacturer's warranty period, please refer to the current warranty terms of Xingyi. Local distributors may have special warranty terms for the terms of sale, delivery and warranty. If there are any uncertainty about the warranty terms, please contact your retailer.

## **2、 Safety instructions**

### **2.1 Overview**

This manual sets out the important information for the safe operation of this machine! Must read carefully this manual before using this machine for the first time!

Any non-standard operation or unauthorized modification, maintenance of the machine may cause the machine to not work or other losses, and may be dangerous. All work must be done by qualified personnel, and any parts for the machine must be provided by Xingyi.

Xingyi machines can only be used in the way recommended by Xingyi. Xingyi machines can only be used for commercial purposes. Anyone who uses the machine should know its function, the location of the emergency stop, the safety rules that the operator should have to comply with when the machine starts, no unauthorized persons cannot be stationed at work Area.

All workers should be equipped with professional personal protective equipment: safety goggles, protective gloves, safety shoes, breathing masks, hearing, etc., do not wear loose clothes or anything can grasp things such as scarves, bracelets, rings and so on.

#### **Note:**

1. This machine is only used for surface grinding and polishing.
2. Read and understand the safety instructions of the machine manual. Different models, accessories, control operations are different.
3. This machine operates only for one person. When machine work, should pay attention to children or unrelated personnel close to the machine, to maintain a certain distance.
4. Without training, poor physical condition prohibit, the worker must not operate the machine. Operators and maintenance workers must be physically fit, able to support the weight of the machine and the working demands.
5. In the absence of machine operating instructions, do not rent the machine.
6. Body, jewelry and spacious clothes should keep away from the machine moving parts, or may bring physical damage.
7. Do not arbitrarily change the machine. Can only use the parts provided by Xingyi company for maintenance and changes.
8. Do not use the machine when it rains or fog;

9. The machine cannot be near the place where there are explosive flammable materials and steam.

Do not operate the machine beside dust, solvents, thinner or other flammable materials.

## **2.2 Operational safety instructions**

1. Operators should wear protective equipment when using the machine, such as dust masks, protective gloves, overalls, helmets, insulated shoes and so on.

2. The machine must be checked before work, the machine without leak of electricity, oil, water and so on. The machine can be used normally.

3. Before the operation, should check the integrity of the machine to ensure that the electrical parts is without moisture phenomenon and the operation control switch is in good condition.

4. Make sure there are no obstructions or people in the work area and ensure that there is sufficient lighting in the work area.

5. For the safety of the operator and others, the dust skirt must be in place. For the dry grinding, must be equipped with a vacuum cleaner.

6. The machine is connected to a suitable electrical outlet. Use only power wires that can suffer high current.

7. Do not adjust the machine during machine operation. Only when the machine is stopped and the emergency stop switch has been pressed, the worker can adjust the machine.

8. The machine lever has a different position locking function. The function of these locations in this manual has the picture content description.

9. Replace the diamond tools or accessories, you must ensure that the machine has stopped running and confirm that the emergency stop switch has been pressed, if necessary, disconnect the power or pull out the plug. The machine is away from the drain and the mouth of range or other dangerous goods, otherwise it will cause personal injury or machine, property damage.

10. The machine is away from the drain and the mouth of range or other dangerous goods, otherwise it will cause personal injury or machine, property damage.

11. Hold the handle, turn the emergency stop switch clockwise, turn the forward and

reverse switch to start the machine.

12. Note that the emergency stop switch can only be pressed or rotated, NEVER PULL THE SWITCH UPWARD!

13. Check the ground area before the machine work, remove any hard objects such as bolts and nails that could cause machine damage.

14. When inserting the power supply, must make sure the working voltage of the machine, the frequency are the same as the input voltage and frequency, and the input power has no phase loss. (If the input power is not in accord with power when the work normally, resulting in damage to the machine, out of warranty).

15. Install the appropriate vacuum cleaner on the suction pipe connection to facilitate dust-free operation.

16. If the machine is always running in a certain direction, adjust the height of the wheel shaft to the best position (may be adjusted upward or downward), and ensure the heads are parallel of the wheel shaft and the ground.

17. Install the appropriate abrasive. Improper abrasive may cause personal injury and floor damage.

18. After installing the abrasive, contact the grinding disc with the ground. The adjustment level should be adjusted to the "upright position". The operator can operate comfortably.

19. The inverter jumps "overload protection" to indicate that the machine has a problem (the power wire specification is too small, or the voltage is unstable.) Please refer to the recommended power wire specifications below. Or reduce the grinding pressure (without adding iron). (Other losses caused by continuous use of the machine during overloading are not warranted.).

20. After grinding for several minutes, stop the machine to check the wear level of abrasives. This can effectively save economic losses due to the use of the wrong abrasives.

21. Do not tilt the machine while the machine is still running, otherwise the abrasive will fly off and it will cause a personal threat.

22. During operation, if the grinding disc falls off, please stop the machine immediately, otherwise it will cause damage to the machine or personal safety.



### **2.3 Electrical safety Instruction**

1. All circuit repairs can only be carried out by qualified personnel.
2. After the machine is stopped, the line is still energized. Disconnect all power before servicing the machine.
3. The machine is equipped with overload protection device and the overload situation will be displayed above the control panel, then need to unplug the power, the re-plug it;
4. The inverter is aimed at changing the speed and protecting the user and machine safety. Do not modify, adjust the inverter and without the consent of the manufacturer modify the inverter parameters. If the unit is defective, replace bad parts with the manufacturer's supplied accessories (Due to changes, adjust the inverter and without the manufacturer agree to modify the inverter parameters, resulting in other losses and the machine cannot work properly, manufacturers do not provide warranty).
5. Absolutely cannot modify parts or lines inside the inverter.
6. Machine current overload, must pay special attention.
7. Do not connect or disconnect the wire when the outside of wire has electricity or wire is overloaded.
8. Use of damaged power wire may cause electric shock. Do not use damaged power wire.
9. The wires should be far from the high temperature surfaces.
10. The electrical equipment should be kept dry at all times, and the machine should be kept in a dry place;
11. After turning off the power, before the panel light does not go off, indicating that there is still high voltage inside the inverter, it is very dangerous, do not touch the uninsulated electrical equipment parts.
12. Machine motor, inverter, must not have water (Due to water causes, resulting in other losses and the machine cannot work properly, manufacturers do not provide warranty).
13. The machine must conform to manufacturer's specifications for the wire size and voltage (The machine name plate shows the power supply specifications);

### **3、Machine**

#### **3.1 Overview**

HTG-550 is used to handle various types of flooring. Used for grinding (rough grinding, fine grinding, polishing) concrete, natural stone and terrazzo floors or materials specified in this manual or recommended by Xingyi.

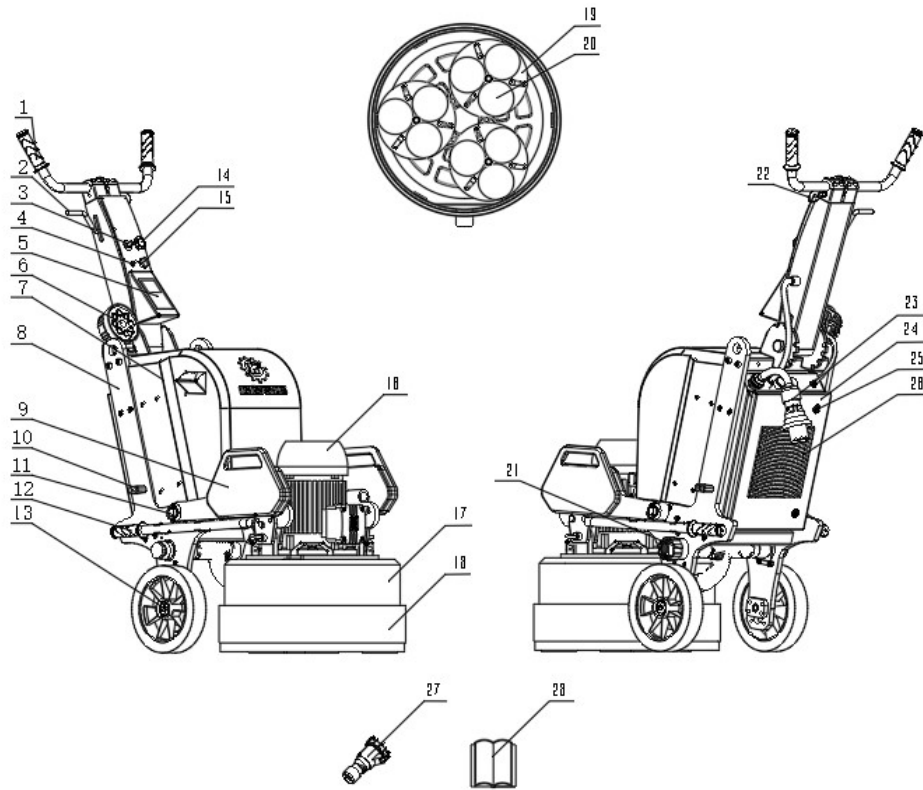
The swing lever and handle can be set in many different tilt positions according to your needs. When the equipment is manually operated, you can choose the most suitable location. The grinding head of this machine can be matched with different grinding discs for grinding operation. The dust skirt covers the working area of the grinding head area, because it is floating, so all the time it can contact the floor, not only to ensure that the operator does not touch the rotating mechanical parts, but also to reduce the dust exposure, and improve the dust absorption of vacuum cleaner.

When dry grinding, make sure that a vacuum cleaner is connected to the grinder (preferably equipped with a vacuum cleaner Xingyi). To prevent dust from being exposed to the air, posing a threat to the health of the operator and nearby people. Due to inhalation of dust is harmful during operation, even with a vacuum cleaner should also bring a good protective mask to protect their own health.

The machine can use different Xingyi diamond tools, according to the ground material, we use different kinds of diamond tools.

The machine can not only dry grinding can also water grinding, when in the water grinding, after rotating the water switch, it can sprinkle the water on the disc, cooling abrasive, so that grinding more effective. But also, to prevent dust, protect the user's personal safety.

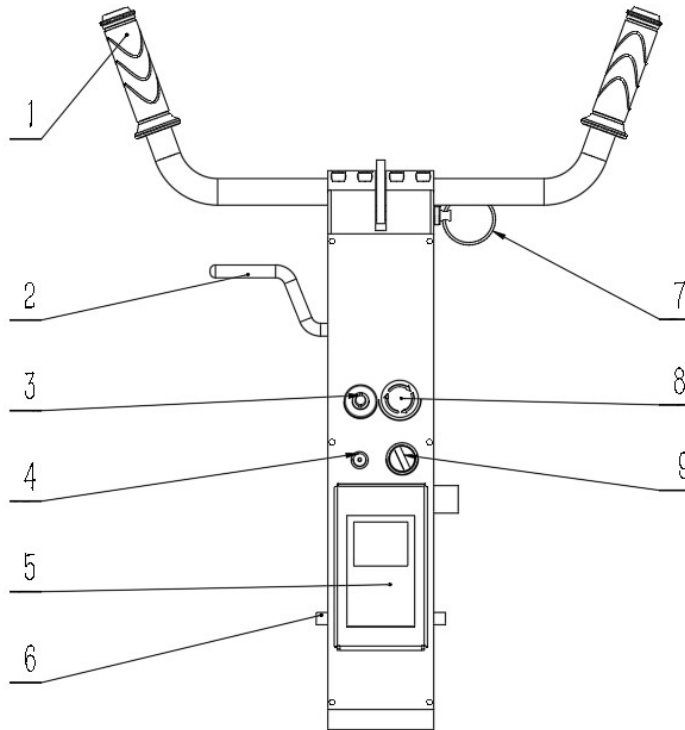
### 3.2 Parts description



- |  |                                 |
|--|---------------------------------|
| 1、 Handle                              | 16、 Motor                       |
| 2、 Swing lever handle                  | 17、 Gear box                    |
| 3、 Speed changer                       | 18、 Floating dust cover         |
| 4、 LED light switch                    | 19、 Grinding disc               |
| 5、 Display screen                      | 20、 Velcro-iron accessories     |
| 6、 LED lamp                            | 21、 Vacuum pipe connector       |
| 7、 Water tank                          | 22、 Swing lever latch           |
| 8、 Frame                               | 23、 Power socket                |
| 9、 Additional weight iron              | 24、 Frequency inverter box      |
| 10、 Additional weight iron fixed block | 25、 Frequency inverter box lock |
| 11、 Additional weight shaft            | 26、 Outlet filter               |
| 12、 Pole                               | 27、 Power plug                  |
| 13、 Wheels                             | 28、 manual                      |
| 14、 Emergency stop switch              |                                 |
| 15、 Forward and reserve switch         |                                 |

### 3.3 Swing lever assembly

#### 3.3.1 Overview



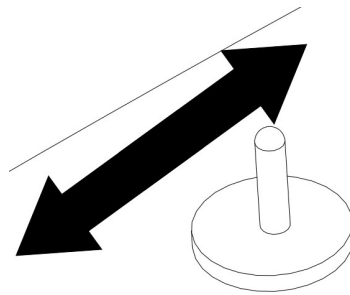
1. Handle: The position where people put them in hand.
2. Swing lever adjustment handle: the use of the handle can adjust the swing lever angle, in the relative working state, it will have a corresponding position. (See the specific operation.
3. Speed control: used to adjust the speed of rotation.
4. LED light switch: control the LED lights switch.
5. Display screen: Main display some parameters, such as voltage, current, motor speed, overload fault code.
6. Swing lever lock lever: Lock the swing lever.
7. Swing lever latch: pull out the latch, the handle can be free to rotate to the appropriate location to operate the machine.
8. Emergency stop switch: When the machine is in a dangerous state or to stop, through the emergency stop switch to cut off the power, stop the operation of equipment to achieve the protection of personal and equipment safety.

9. Forward and reversing switch: the switch has three tap positions, rotate the emergency stop switch, change the switch rotation, the left side is forward running, the middle is that the motor does not turn, the right side is reverse running.

### **3.3.2 LED light switch device**

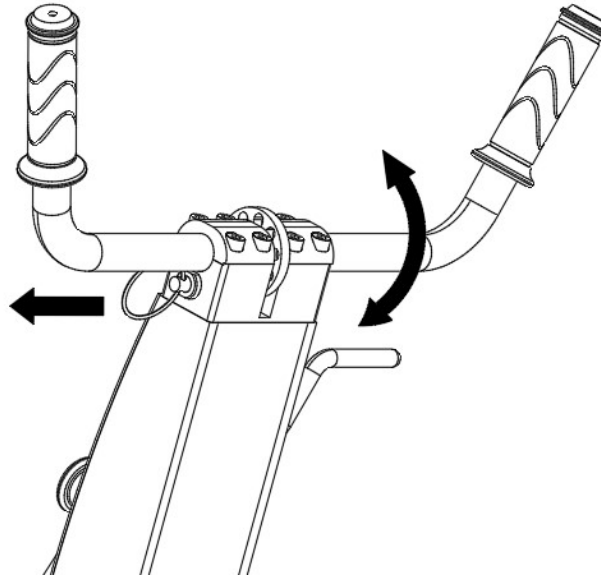
Turn on the LED light switch to ON, LED light open, otherwise turn off.

LED lights are magnetic, so free to place the location, user-friendly operation of the machine, the different positions, different lighting direction, then just need put the LED lights to the desired location.



### **3.3.3 Handle**

Adjusting the handle latch to locate different holes, and then moving the handle in a different position to meet the different needs of users. One hand hold the handle, the other hand pull out the adjustment latch, turn it to the proper position, and release the adjustment latch.



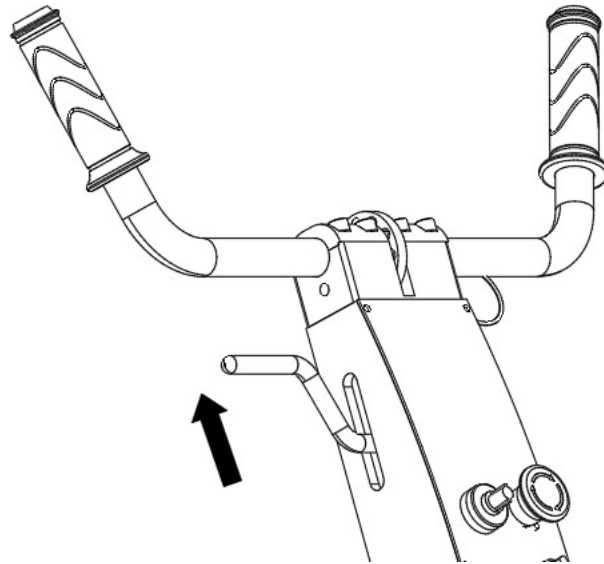
**Note:**

1. When pulled out the adjustment latch, sometimes it will lock, then need to shake the handle while pulling out the lock.
2. When the handle adjustment latch automatically reset, it may be not go into the hole , just rotate it.
3. When adjusting the handle position, be sure to check its handle adjustment latch has been automatically reset, then can operate the machine.

**3.3.4 Swing lever angle adjustment**

The swing lever adjustment device is controlled by the swing lever adjustment handle to control the different positions of the swing lever to accommodate the machine placement mode in different positions. One hand hold the handle to support the swing lever, the other hand tighten the swing lever adjustment handle and keep it from moving, according to the hole on the fan plate, to swing the swing lever to the desired position, release the swing lever

adjustment handle.

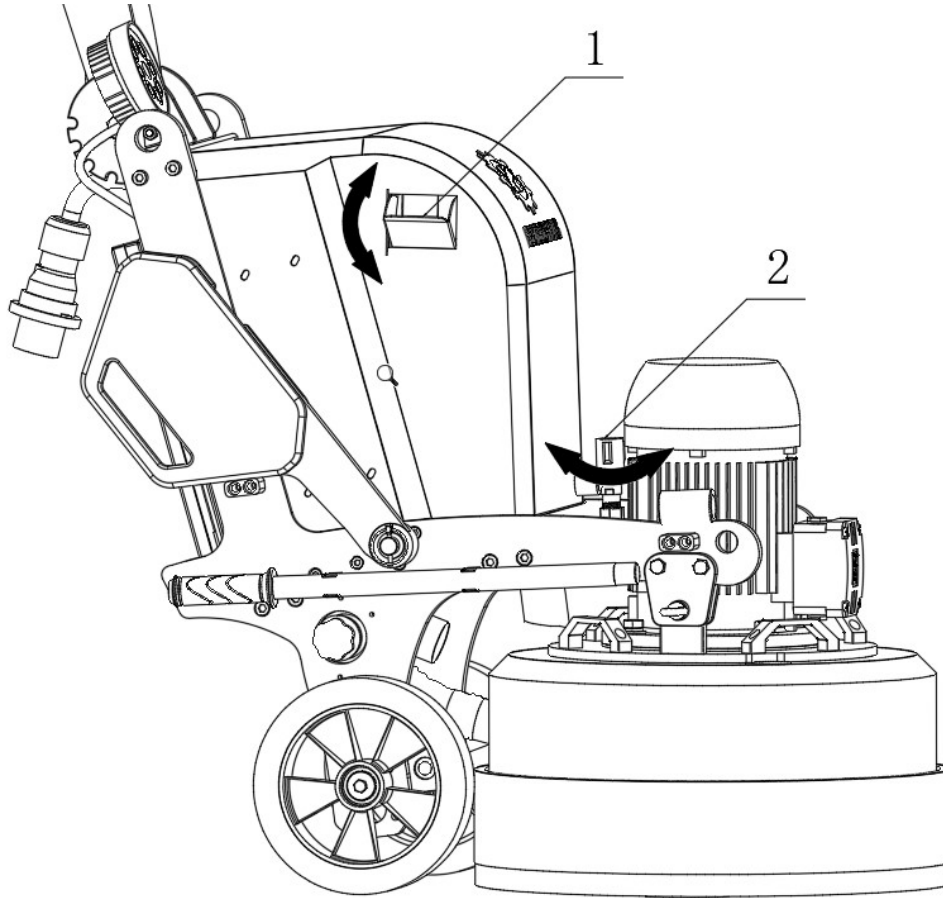


**Note:**

After adjusting the swing lever position, you need to check whether the swing lever has been locked in place.

**3.4 Water tank**

There is a water injection port on the side of the water tank (open the water injection port as shown in the figure below) to fill the water tank with water. When the equipment needs to perform water grinding work, turn the water switch clockwise to start water grinding work. After the water grinding work is completed, turn the water switch counterclockwise to end the water grinding work.



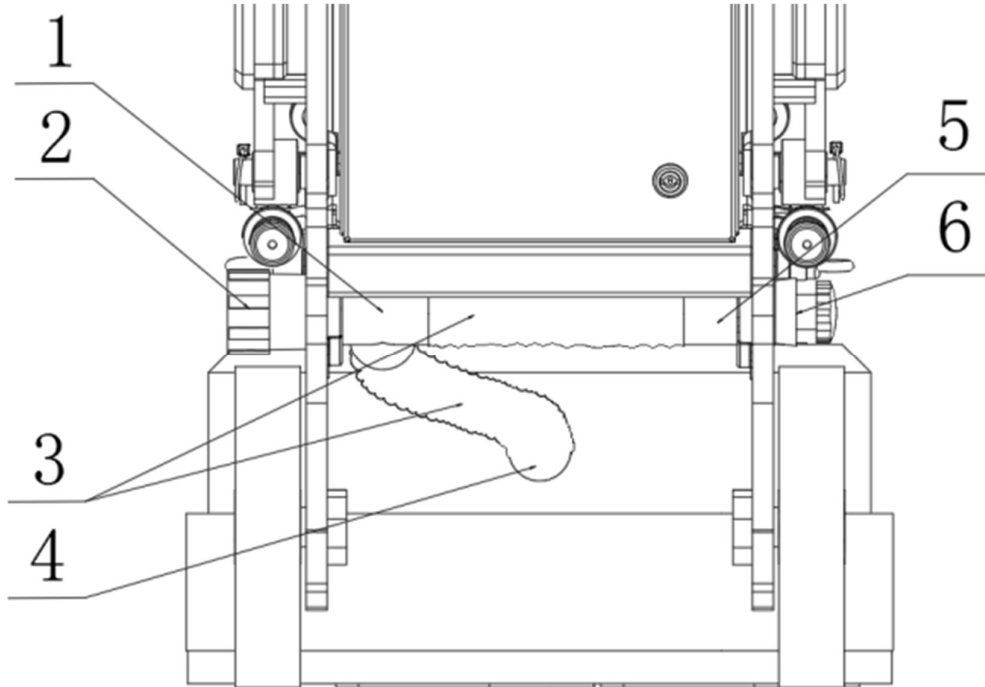
1. Water inlet

2. Water switch

### **3.5 The connection of the vacuum hose**

The machine can be for wet and dry grinding and polishing. When dry grinding, use a 50mm vacuum hose connect to port connection of gear box, then use the hose clamp lock, the other one end connect to the vacuum cleaner. The vacuum hose can be pierced from the foot to avoid contact with the wheels.

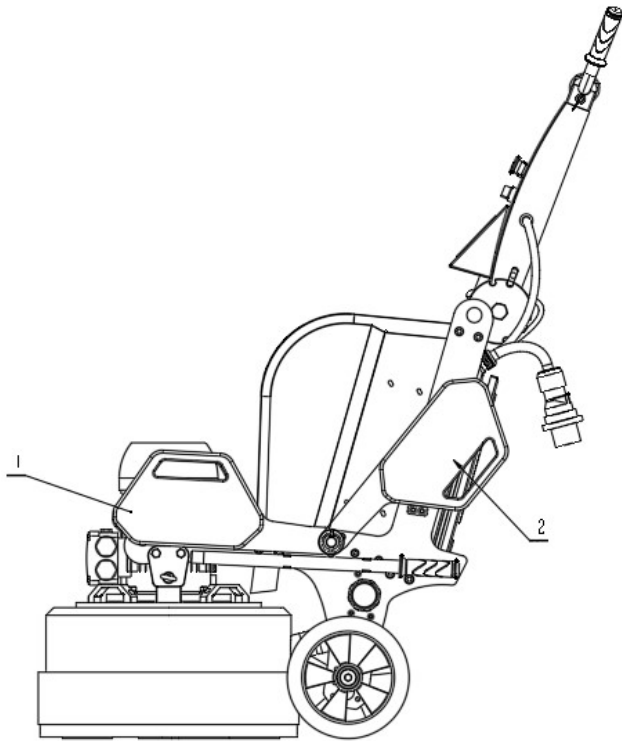




1. Vacuum hose tee
2. Vacuum hose connector
3. Vacuum hose
4. Vacuum hose connection
5. Vacuum hose straight through
6. Silicone plug

### 3.6 additional weight

The additional weight has two different positions, which correspond to the transportation, tilting position and working position on the equipment respectively. The adjustment of the position of the additional weight mainly depends on manpower to pull the weighted iron to make it withstand the limit device to achieve the purpose of changing the position of the additional weight.



1. Working position
2. Transportation
3. Tipping and flip position

**Note:**

When switching the position of the additional weight, you need to hold the additional weight with one hand.

Use only Xingyi parts and accessories, For your own safety, The Safety of others and the life of your machines.

## **4、 The operation of the machine**

### **4.1 Overview**

The following sections describe the different locations of grinder, the main operation and how to install the diamond tools.

#### **Note:**

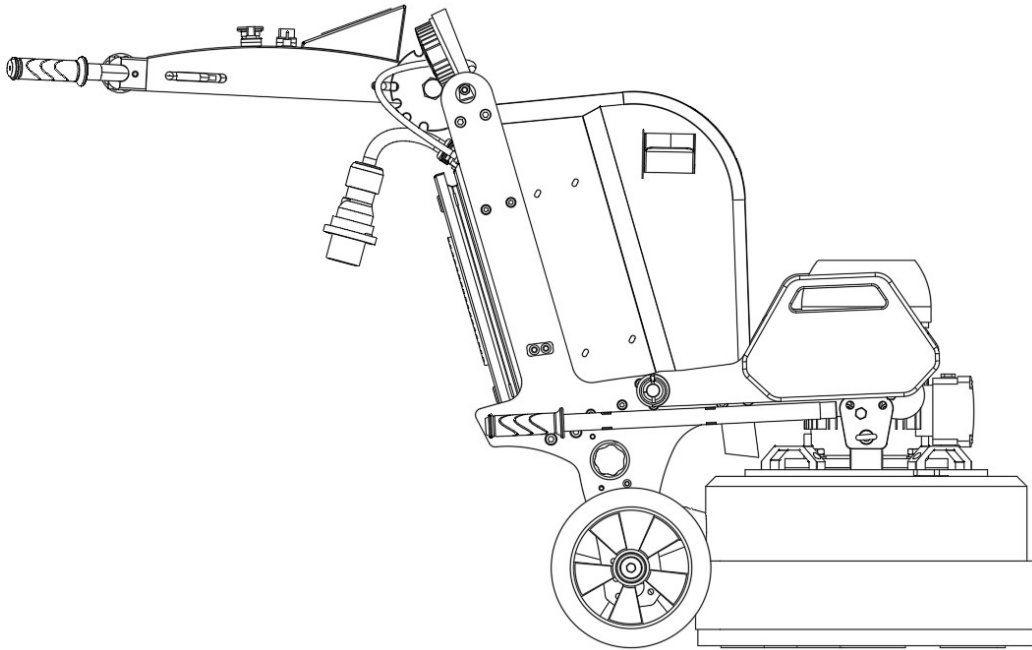
1, The grinder can only be used by the worker who has the necessary theoretical and practical training and has been carefully read the user manual.

2, When operating grinder, need to use protective equipment, such as protective gloves, protective masks, overalls, helmets, insulated shoes, etc.

### **4.2 Position description of machine**

#### **4.2.1 Machine working position**

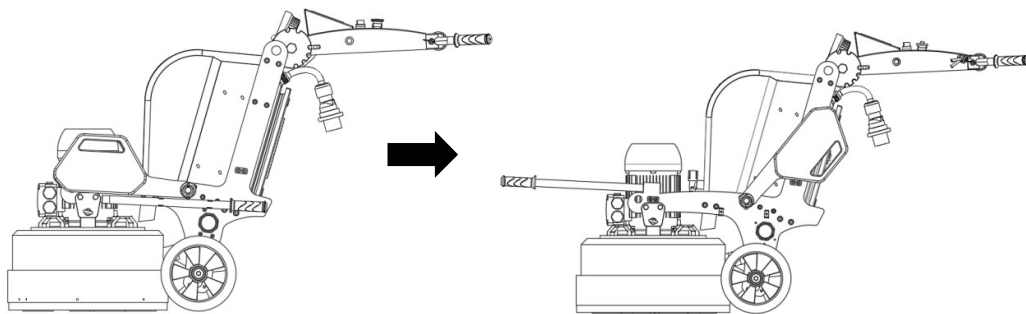
When the grinder is working, you need to put up the additional weight, and adjust the handle and swing lever position, to achieve the most appropriate working position.

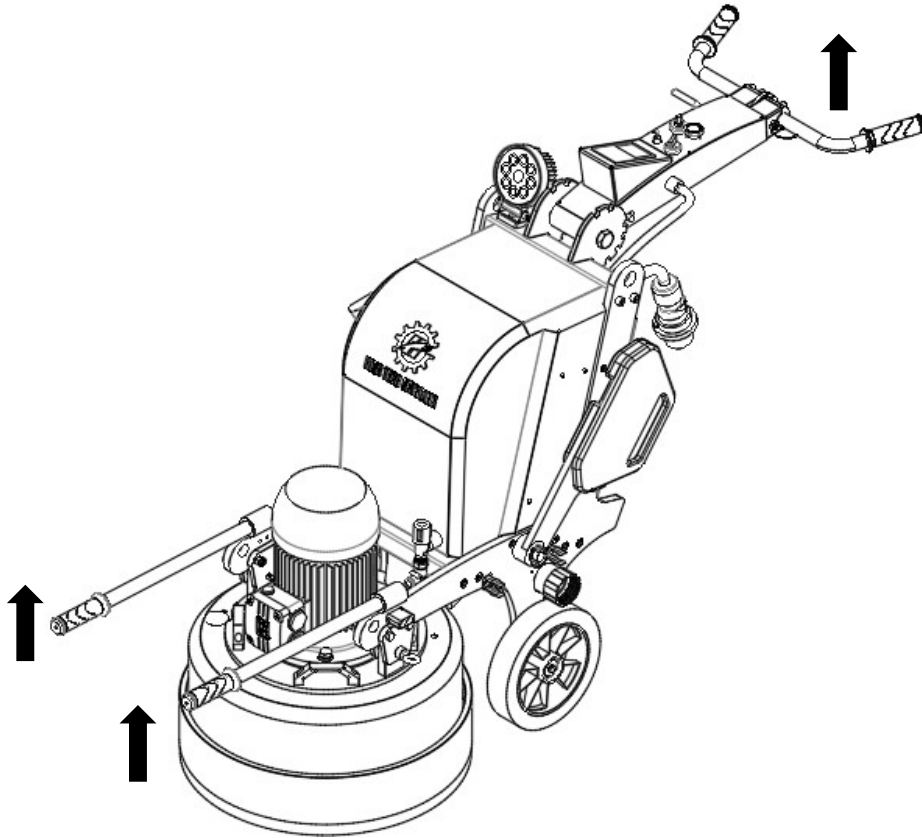


#### 4.2.2 Machine transport position

In the process of transporting the machine, need to take the additional weight down to facilitate the transport.

If you need to lift the machine, pull the carrying pole on both sides of the rack, screw into the screw holes at both ends of the front of the rack, and then one people lift the machine with a lift lever, the other lift the machine with the handle. Lift the machine at the same time.

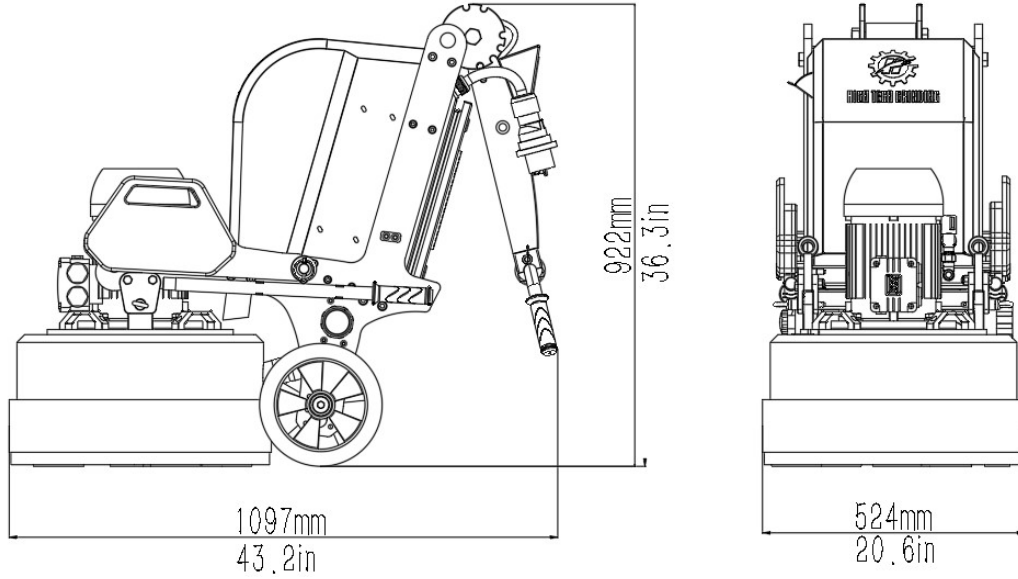




#### **4.2.3 Machine packaging**

When packaging, you can adjust the swing lever, foot pedal, handle position, to reach the packaging position.

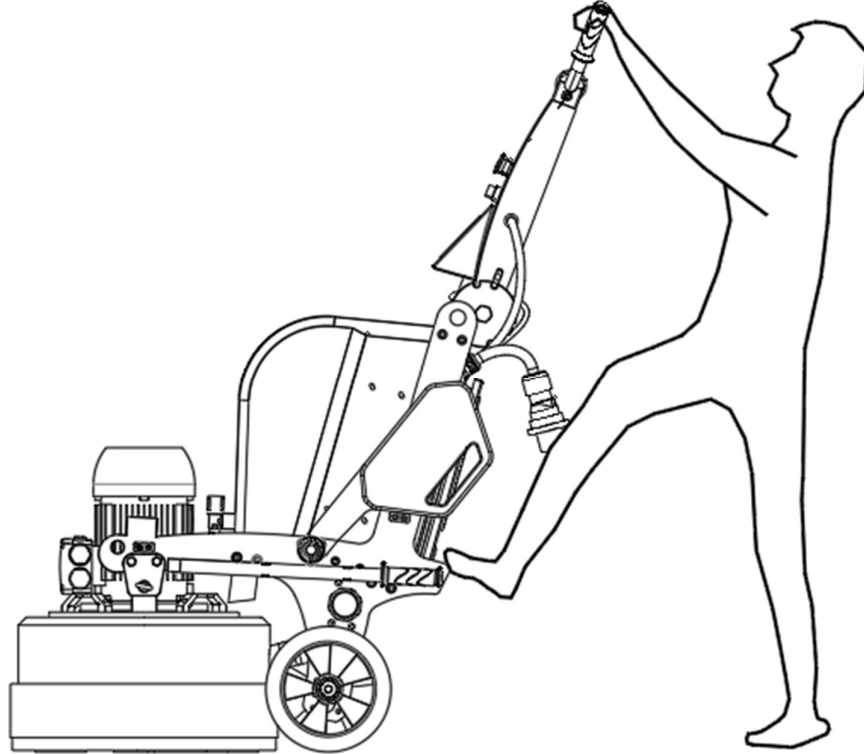
The minimum package size is as follows and can be packaged according to its size.



#### **4.2.4 Machine upward position**

Take off the additional weight, adjust the handle, foot pedal, swing lever position to the upward position. (The best Recommended upward position)

Two Hands clasped the handle, one foot on the foot pedal above, tilt the machine down.



Put the machine down, you need to hold the handle with both hands, feet on the foot pedal above, use your own weight to balance the machine, put it slowly down to protect the grinding disc. When setting down the machine, pay attention to your own strength, do it according to one's abilities to ensure the safety. The Company don't charge any loss of equipment or personal injury caused by improper operation.

#### **4.2.5 Note**

- 1、 If there is a operation inadvertently, the machine will be overturned, resulting in equipment damage and personal injury.
- 2、 When pull out the latch, sometimes it will be locked, then need to shake the handle.
- 3、 At the adjustment process, we must make sure the lock device reset, before the operation of the machine.
- 4、 After the position of the swing lever is finished, you need to check whether the swing lever has been limited before you can operate the machine.

5、 when the machine is located at the transport or packaging position, there is the risk of extrusion, be sure to be careful.

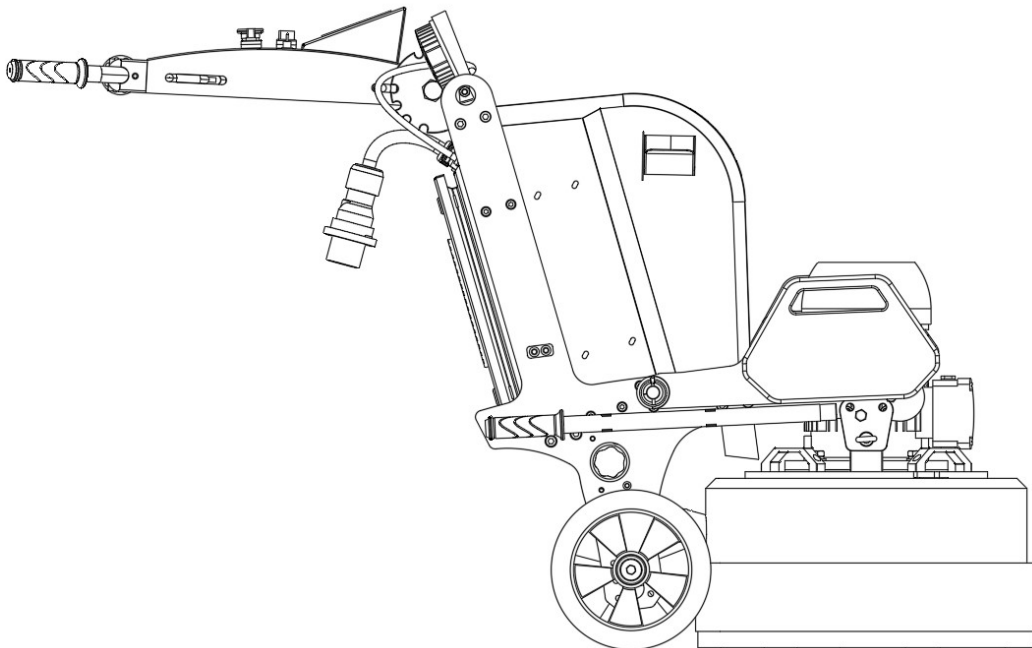
6、 At the grinding process, the dust inhalation is harmful, please bring a professional masks in operation to ensure personal safety.

7、 At the process of upward and laying down, must pay the attention to own safety, and avoid damage to the machine.

#### **4.3 Start and stop the grinder**

1、 Start the grinder:

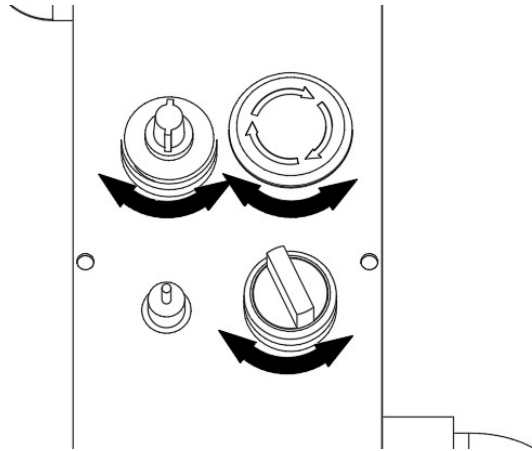
(1) First adjust the swing lever, handle, and weighting iron to the corresponding working position (after adjustment, as shown in the figure below).



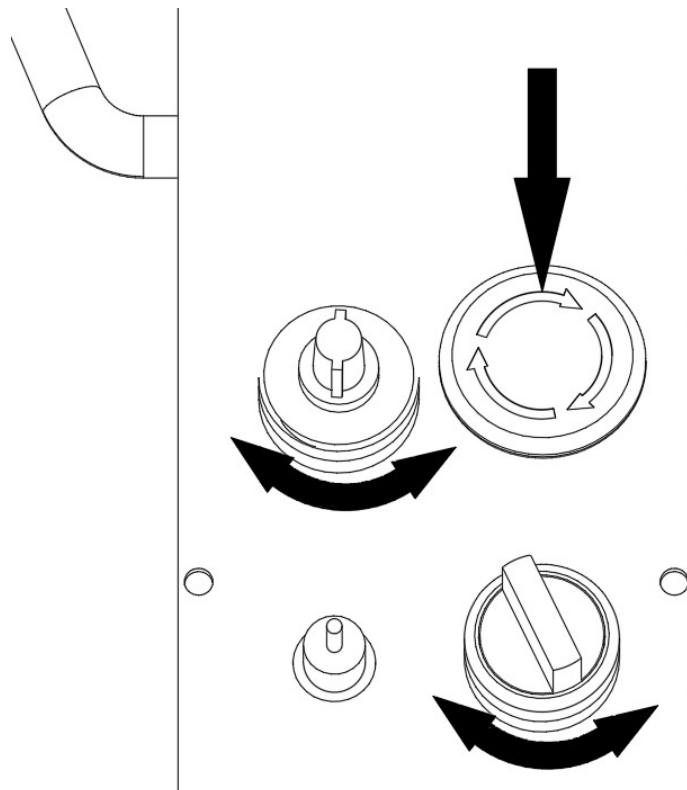
(2) Turn on the emergency stop switch, turn the speed regulator to adjust the rotation speed of the motor, turn the forward and reverse switch, turn the switch to the left, the motor will rotate forward (turn it to the right, the motor will reverse), you can start the equipment for



grinding (if For water mill work, you need to fill the water tank with water and turn on the water switch.).



2. Stop the grinding machine: pressing the emergency stop switch can stop the machine (remember to turn the motor reversing switch).



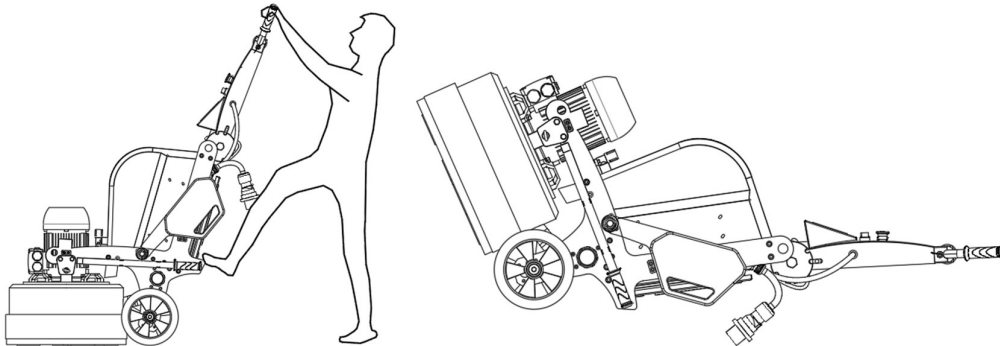
**Note:** When the machine is stopped, it is recommended to unplug the power supply for safety reasons.

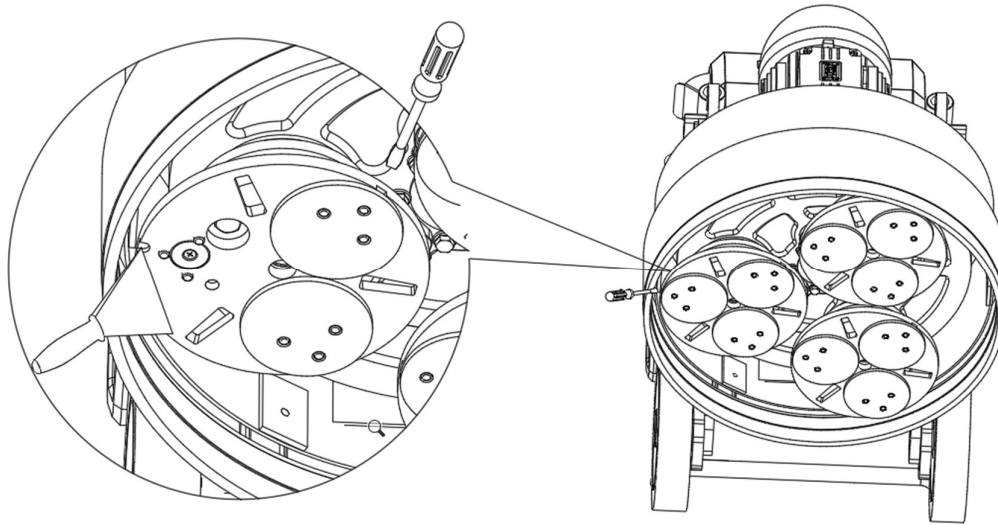
Emergency stop switch can only follow the emergency stop switch above the rotation and downward pressure, cannot pull up.

When starting the machine, it is recommended to press the handle, so that the machine slightly upward, reduce the disc pressure, reduce friction between the disc and the ground, so that the motor is not overloaded when the machine is started.

#### **4.4 Replace the diamond tools**

When changing the diamond tools, adjust the machine to the upward position, then tilt the machine, carefully flatten the machine. After flattening the machine, standing next to the machine, check the machine is stable. Use a flathead screwdriver, blade to replace the grinding plate.





**Note:**

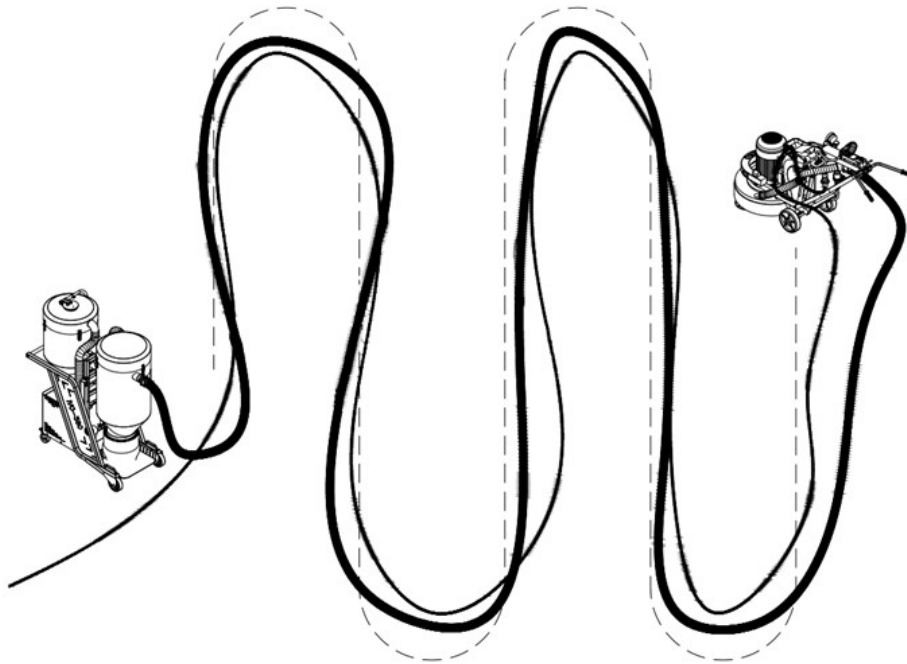
Please make sure that the equipment does not tilt forward before changing the abrasive;

When the equipment has run for a period of time, the abrasives, grinding discs, and gearboxes will generate high temperatures. Please pay attention to changing abrasives to avoid burns.

Make sure to replace the grinding disc after the power is unplugged and the emergency stop is pressed.

#### 4.5 The best grinding route

When grinding the ground, it should be in accordance with the # word to grind the ground, so the effect will be better. And according to # to grinding ground, it should make the grinding direction is to make the wire more and more farther away so that you can further avoid the interference of the wire to the normal work of the grinding machine.



**Note:** The above picture for machine model can be ignored, only for reference grinding method and winding method.

## **5. Care and maintenance of machine**

### **5.1 Overview**

We recommend that the grinding machine be checked regularly to extend the service life of the grinder.

#### **Note:**

During the maintenance and repair process, the power of the grinder must be disconnected.

Use protective equipment such as safety shoes, protective gloves, protective masks, etc.

### **5.2 Daily check**

#### **5.2.1 Check the switch.**

Rotate the emergency stop switch along the rotation of the switch, rotate the motor forward and reverse switch to start the machine to see whether the machine starts. (normally start the machine, the running light will light up, if start unnormal, then the display will appear fault prompt)

Turn on the grinder and press the emergency stop switch to see if the machine stops.

#### **Note:**

For safety reasons, it is highly recommended that when stopping the machine, you press the emergency stop switch, more safe.

When starting the machine, it is recommended to press the handle, so that the machine slightly upward, reduce the disc pressure, reduce friction between the disc and the ground, for that the motor is not overloaded when start the machine.

#### **5.2.2 Check the disc cover.**

In the condition of much dust, it is easier to cause blocking at the nozzle of suction hose on the disc cover of grinder, flashlight with a flashlight nozzle to see if there is dust jam, if necessary, to clean up.

#### **5.2.3 Check the disc**

When the grinder work so long or grind much dust,, the grinding disc part may be stained with dust, too much dust and no timely cleaning will lead to bad connection between the grinding disc and grinding head, cause the bad impact of grinding efficiency , More seriously, it will lead to abrasive fall, cause the accident, if necessary, remember to clean up.

#### **5.2.4 Note:**

For maintenance checks, remember to use protective equipment such as protective gloves, protective masks, insulated shoes, etc.

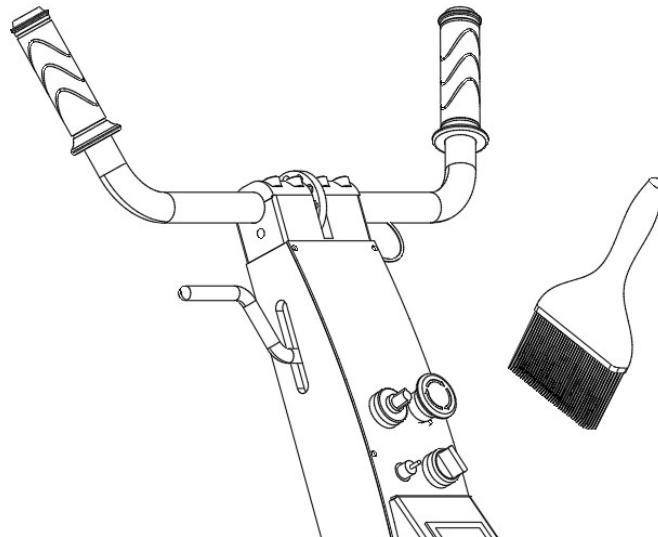
Check the maintenance must be in the emergency stop, unplug the power state can be carried out.

After the machine goes upward, remember to try to see if the machine is stable and then check the operation of the disc.

### **5.3 Cleaning**

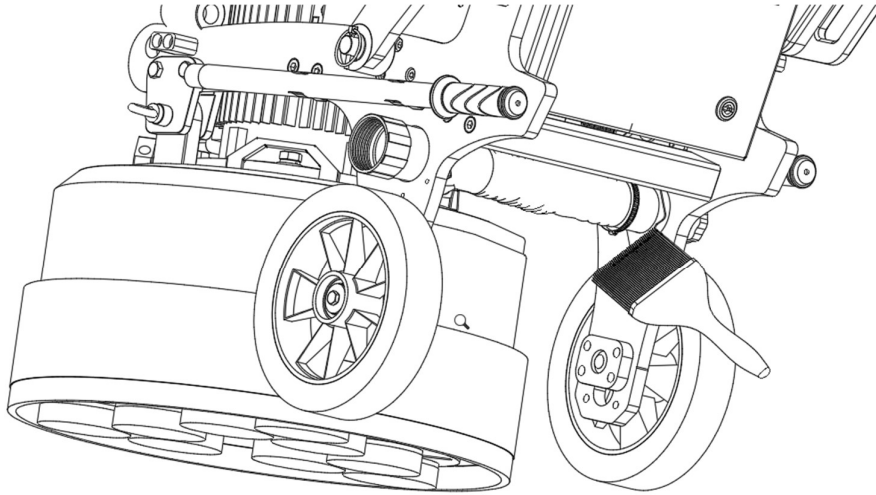
#### **5.3.1 Clean the switch**

Working for a long time on the site, the dust will inevitably run into the switch so after each operation of the work, you should check the switch part whether there is dust blocking or not, resulting in switch failure.



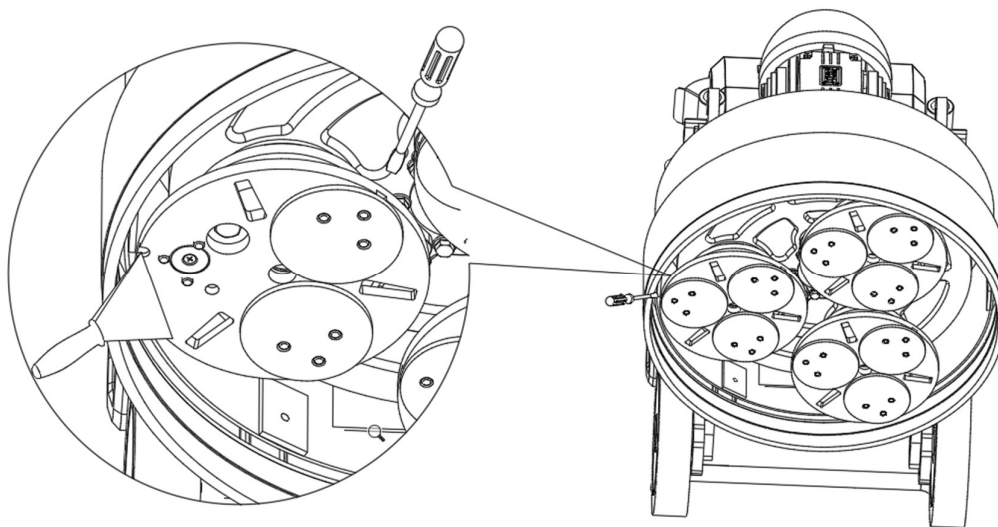
#### **5.3.2、 Clean the Grinding disc cover.**

Remove the suction pipe interface, illuminate the suction pipe mouth with a flashlight, and use a brush to clean the dust on the suction pipe mouth. It will not be blocked in the mouth of the dust suction pipe, which will affect the efficiency of dust collection.



### 5.3.3 Clean the grinding plate and Velcro-iron accessories

Tilt the equipment up, tilt down the grinding disc with a Phillips screwdriver, and shovel off the dust with a shovel. If it is not cleaned up in time, the grinding discs may not be firmly bonded and the discs will fly during the grinding process, causing equipment damage and personal safety threats.



**5.3.4 Note:**

1. Be sure to remove the plug from the outlet and then clean, maintain or assemble it.
2. Be sure to clean all the equipment after the end of the day. Do not use a high-pressure cleaner to clean the machine directly.

**5.4 Overload protection**

The machine inverter is equipped with overload protection. When the machine overload, the control panel on the display will show the machine overload, then only need take off the plug, then recharge it again.

**5.5 Maintenance**

Any maintenance that may require repair must be serviced by Xingyi Service Center staff and using Xingyi original parts and accessories for repair. If your machine requires repairs, please contact your retailer.

**6、 Frequently asked questions and solutions**

This chapter describes some of the possible failures and how to handle them. If you still cannot resolve or have an error, please contact your nearest retailer.

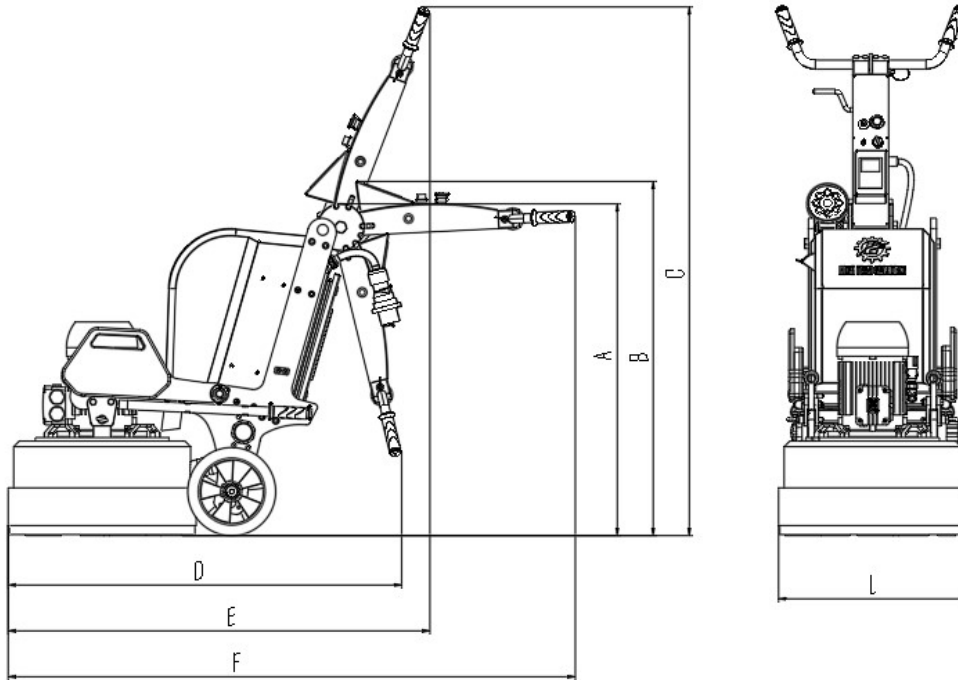
Problem	Potential cause	Solution
The machine does not start	The emergency stop switch is pressed	Open the emergency stop switch
	overloading	Unplug the power plug directly and insert again.
	Power and power cables are damaged	Contact licensed electrician
	The switch knob of machine is damaged	Make sure the wires are properly connected to the rear button, check the contacts with the ignition button
The machine is difficult to control or the motor current is consumed	The machine below the diamond is too small or the wrong tool type is applied	Use xingyi recommend numbers of diamonds to reduce the stress on the grinder and the operator
Machine beating unevenly	Diamond may not be properly installed or highly different	Properly install diamonds with the same height
	The chassis is flat or not	Adjust the installed chassis



## 7、 Technical data

The table and picture show the technical data and dimensions of the grinder

	HTG550
Engine power	4KW / 5.5HP
Rated voltage	1P220V / 3P220V
Rated current	15.1A
Hertz	50HZ/60HZ
Inverter	5.5KW/7.5HP
Working width	490mm
Disc size	Φ 220mm/Φ8.66in
Grinding Speed	450–1500 r/min
Size (from Tilt position) Length x Width x Height	1176×524×1497mm/46.3×20.63×58.92in
Size (working position) length x width x height	1581×524×985mm/62.24×20.63×38.78in
Packing size length x width x height	1097×524×922mm/43.19×20.63×36.3in
The longest x the widest x the highest	1581×524×1497mm/62.24×20.63×58.92in
Total Weight	243.6kg
Wire type	2*4+1*2.5mm <sup>2</sup> / 3*4+1*2.5mm <sup>2</sup>
Storage temperature	-20 ~ +60° C / -4 ~ +140° F
Operating temperature	-10 ~ +40° C / +14 ~ +104° F
humidity	95%below(no condensation)



## 8. warranty

### Warranty regulations

Xingyi does not bear the cost of equipment damage caused by transportation, unpacking, or improper use of the equipment. Local distributors may have specific warranty terms.

For specific terms, please contact your local distributor.